



CATALOGUE

CUTTING & MILLING ROBOTS

www.jbpcomposites.com

Avda. Enric Valor, 3
46100 Burjassot
Valencia, España

Tel.: +34 96 131 1400
Fax: +34 96 390 1454
info@jbpcomposites.com

JBP COMPOSITES S.L.

CUTTING & MILLING ROBOTS

/ Main sewer



IMS DRIVE 50m / 100m / 150m



Your benefits at one glance:

- very robust cutting robot for small and main sewers from DN 150 up to DN 400/6" - 16"
- high operating flexibility due to 3 freedom degrees (driving movement, rotation and swivelling of the cutting arm)
- powerful air-operated cutting motor
- precise operation by cable remote control with 2 joysticks for swivelling, turning and driving
- toggle switches for pressure rail, water cleaning, turning speed of the cutting arm, driving speed and cutter motor
- potentiometer for light control and turning speed of the cable drum (only activated in combination with the option 030 11 600 „automatic reeling“)
- control unit DRIVE with case optional available (omission of the standard control unit and of the 17" TFT monitor)
- cable remote control and cable drum also usable together with item number 020 22 000 IMS cutter DRIVE light
- perfect cutting control through integrated color camera with LED lighting, permanent camera cleaning by air and optional switchable water flushing
- long driveway through powerful carriage with pressure rail
- extremely short conversion time by changing nominal diameters
- comfortable supply hose package of 100 m/328 ft or 150 m/492 ft on cable drum
- optionally available with manual reeling, manual reeling with hand crank (optional) or automatic reeling (optional)
- optional meter counting incl. data loading
- vehicle mounting kit optional available
- low weight of robot allows introduction of robot without a crane or winch
- damage prevention through permanent internal pressure monitoring
- also usable together with inspection head MICRO cam

CUTTING & MILLING ROBOTS

/ Main sewer



IMS DRIVE 50m / 100m / 150m

Functions and technical details:

- usable in pipes from DN 150 up to DN 400/6" - 16" (pipe inside diameter)
- outside diameter device: 120 mm
- air-powered cutter motor
- electrically powered turning movement 400° / servo-pneumatic cutting arm swivelling approx. 200 mm/8"
- self-propelled carriage with pneumatic pressure rail for improved stability and traction
- different wheel sets for the nominal width range up to 400 mm/16"
- color camera with LED and auxiliary lighting
- permanent camera cleaning by air
- splash-water-protected according to IP54
- waterproofed device with 0,5 bar nitrogen filling
- cable remote control with 2 joysticks for swivelling/turning and driving. Toggle switches for pressure rail, water cleaning, turning speed of cutting arm, driving speed, automatic driving and cutter motor. 1 analogue BNC video output. Potentiometer for light control and turning speed of the cable drum
- 17" TFT monitor
- analogue video output on cable drum
- preparation internal power supply for Tablet PC 19 volt (Tablet PC option article number 016 50 075)
- permanent monitoring of internal pressure with signalling
- 100 m/328 ft or 150 m/492 ft supply hose
- chassis for hose drum with pneumatic and electrical rotary leadthrough, manual reeling and manual brake
- 1 accessory case with job site tools, valve extension, nitrogen filling adapter, thread extension, ball bearings and fins for air motor, replacement screws, 1 cutting tool carbide granulate, operation manual, overview spare parts and extension parts
- dimensions of robot (DN 250/10"): approx. L 1150 x W 190 x H 175 mm (45" x 8" x 7"), weight approx. 21 kg
- dimensions of cable drum: approx. L 790 x W 630 x H 1050 mm (31" x 25" x 41"), weight approx. 88 kg (100 m)/104 kg (150 m)

Power supply:	100 - 240 VAC, 47 - 63 Hz, max. 7,4 A
Compressed air requirements:	Dirt-free (particles < 5 micrometer), temperature range 5°C up to max. 40°C / 41°F up to max. 104°F, residual water separated, residual oil < 5 mg/m ³ , supply line pressure 10 bar / 145 PSI, volume flow min. 1,0 m ³ /min / 35 CFM
Water supply:	Distilled water
Cutting tools:	Original IMS cutting tools are recommended
Internal pressure monitoring:	Nitrogen refilling equipment essentially required for internal pressure monitoring

CUTTING & MILLING ROBOTS

/ Main sewer



IMS DRIVE Light 100m / 150m



Your benefits at one glance:

- very robust, flexible cutting robot with outside diameter of 125 mm/5" for small pipes and sewers
- special crawler design allows insertion into smallest access openings (cleaning cuts/ports) and ensures a flexibility in bends of 45° in DN 150/6" and 67° in DN 200 - 400/8" - 16"
- powerful air-operated cutting motor
- precise operation by cable remote control with joystick for cutting arm swivelling and turning
- toggle switches for pressure rail, water cleaning and cutter motor
- potentiometer for light control and turning speed of the cable drum (only activated in combination with the option 030 11 600 „automatic reeling“)
- control unit DRIVE light with case optional available
- cable remote control and cable drum also usable together with item number 030 07 100 IMS cutter DRIVE
- perfect control of operation due to integrated color camera with LED lighting, permanent camera
- cleaning by air and optional switchable water flushing
- damage prevention through permanent monitoring of internal pressure with signaling
- comfortable supply hose package of 100 m/164 ft or 150 m/492 ft on cable drum
- optionally available with manual reeling, manual reeling with hand crank (optional) or automatic reeling (optional)
- camera cleaning with air and optional with water
- connectable to all common TV crawler with appropriate shear force, or manual Insertion by pushing or pulling
- optional with meter counting incl. data loading
- also usable together with inspection head MICRO cam

CUTTING & MILLING ROBOTS

/ Main sewer



IMS DRIVE Light 100m / 150m

Functions and technical details:

- usable for pipes with an inside diameter of DN 150/6" - DN 400/16" (outside diameter device: 125 mm/5")
- powerful air-operated cutter motor
- electrically powered turning movement 400°/ servo-pneumatic cutting arm swiveling approx. 200 mm/8"
- dismountable crawler with hinges (flexible 45° in DN 150/6")
- pneumatic pressure rail for improved stability and traction/connection for pushrods
- hook for pulling aid
- different wheel sets for the nominal width range up to DN 400/16"
- color camera with LED and auxiliary lighting
- permanent camera cleaning by air
- waterproofed device with 0,5 bar nitrogen filling
- cable remote control with joystick for cutting arm swivelling and turning. Toggle switches for
- pressure rail, water flushing and cutter motor. Potentiometer for light control and turning speed of the cable drum.
- analogue video output on cable drum
- preparation internal power supply for Tablet PC (Tablet PC option article number 016 54 060)
- permanent monitoring of internal pressure with signaling
- 100 m/164 ft or 150 m/492 ft supply hose
- chassis for hose drum with pneumatic and electrical rotary leadthrough, manual reeling and manual brake
- splash-water-protected cable drum and control unit according to IP54
- 1 accessory case with job site tools, replacement screws, 1 cutting tool carbide granulate, nitrogen filling adapter, thread extension, ball bearings and fins for air motor, operation manual, overview spare parts and extension parts
- dimensions of robot (DN 150/6") complete device with rear axle module: approx. L 634 x W 112 x H 117 mm (25" x 4,4" x 4,6"), weight approx. 14 kg
- dimensions of cable drum L 790 x W 630 x H 1050 mm (31" x 25" x 41"), weight approx. 88 kg (100 m)/104 kg (150 m)

Power supply:	100 - 240 VAC, 47 - 63 Hz, max. 7,4 A
Compressed air requirements:	Dirt-free (particles < 5 micrometer), temperature range 5°C up to max. 40°C / 41°F up to max. 104°F, residual water separated, residual oil < 5 mg/m ³ , supply line pressure 10 bar / 145 PSI, volume flow min. 1,0 m ³ /min / 35 CFM
Water supply:	Distilled water
Cutting tools:	Original IMS cutting tools are recommended
Internal pressure monitoring:	Nitrogen refilling equipment essentially required for internal pressure monitoring

CUTTING & MILLING ROBOTS

/ Main sewer



IMS TURBO



Your benefits at one glance:

- wide area of application in pipes of DN 200 to 400 / 8" - 16" (inner diameter), also with extension option up to DN 600 / 24" and for egg profiles
- Extremely short conversion periods when changing the nominal diameter
- Maximum flexibility thanks to four degrees of freedom (travel movement, turning / swivelling cutting head and swivelling the cutter motor)
- High cutting or processing depth for lateral repair
- Pneumatic pressure rail for better travel properties and optimum stability in the pipe
- Detachable carriage can also be used for „MULTISAN TURBO“ lateral repair systemT
- Convenient media supply package, 100 m / 328 ft (50 m / 164 ft extension option)
- Extremely high cutting force due to ultra-powerful air motor
- Flexible operation owing to a mobile universal control unit
- Precise control of the cutting robot using 2 dynamic joysticks
- Permanent observation of the cutting process thanks to swivel colour camera with water and wipers
- Removable swivel camera / can also be used for MULTISAN repair system
- Cutting tool cooling via separate water nozzle
- Damage prevention through permanent internal pressure Monitoring with signalling and upset angle monitoring
- Various cutting tools can be attached (brush extension max. 100 mm)
- Convenient crane attachment for easy lowering into the sewer
- Extremely robust and durable system

CUTTING & MILLING ROBOTS

/ Main sewer



IMS TURBO

Functions and technical details:

- consist of carriage, cutting arm and swivel camera
- Air-powered cutter motor
- Suitable for pipes DN 200 / 8" (inner pipe diameter and without sleeve offsets) up to DN 400 / 16"
- Circumscribed circle of the cutting robot 180 mm / 7"
- Operation via IMS universal control unit (not included)
- Media supply line via IMS universal cable drum 100 - 150 m / 328 - 492 ft (not included)
- Self-propelled with 3 speed levels, max. speed approx. 10 m/min / 32 ft/ min
- Extension parts for the nominal width range up to DN 400 / 16"
- Extension option up to max. DN 600 / 24" and for egg profiles
- Carriage can be combined with Multisan TURBO repair system
- Electrically powered turning movement 400° / swivel movement 90° / swivel movement of air motor 90° optional
- Integrated upset sensor to prevent the robot tipping over (display via universal control unit)
- Reverse travel sensor (display via universal control unit)
- Pneumatic pressure rail for better stability and traction
- Carriage and cutting head watertight and filled with nitrogen
- Swivel colour camera with 2 x 10 W halogen spots and 3 wiper blades
- 2 x 10 W additional halogen spots
- Water equipment (camera cleaning and tool cooling) optional
- Permanent internal pressure monitoring
- Max. tool diameter for concrete 120 mm / 5"
- Crane attachment
- Inspection glass with dial for determining the position of air motor
- 175 ml / oil tank for permanent lubrication
- Dimensions L x W x H approx. 1100 x 170 x 200 mm / 43 x 7 x 8", weight approx. 70 kg

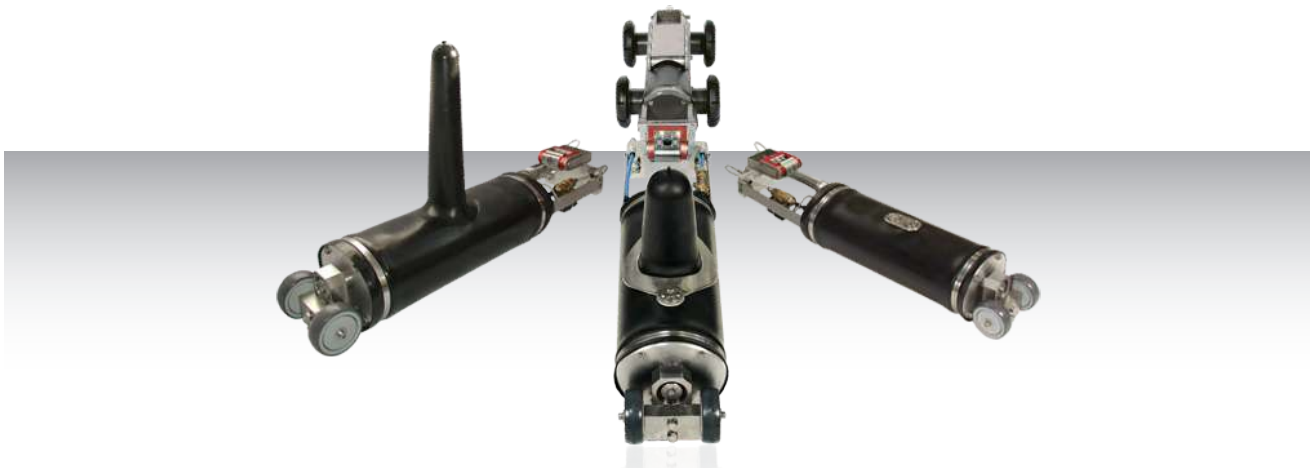
Controls:	Only in conjunction with IMS universal control unit and IMS universal cable drum
Power supply:	230/110 V +/- 1% , 50/60 Hz, 6 A
Supply air:	Free from dirt (particles < 5 micrometres), temperature range 5°C up to max. 40°C / 41°F up to max. 104°F, remaining water discharged, remaining oil < 5 mg/m ³ , supply pressure 10 bar / 145 PSI, min. volumetric flow 3 m ³ /min / 105 CFM
Cutting tools:	Original IMS cutting tools are recommended
Internal pressure monitoring:	Nitrogen filling equipment essential for internal pressure monitoring

CUTTING & MILLING ROBOTS

/ Main sewer



IMS MULTISAN



Your benefits at one glance:

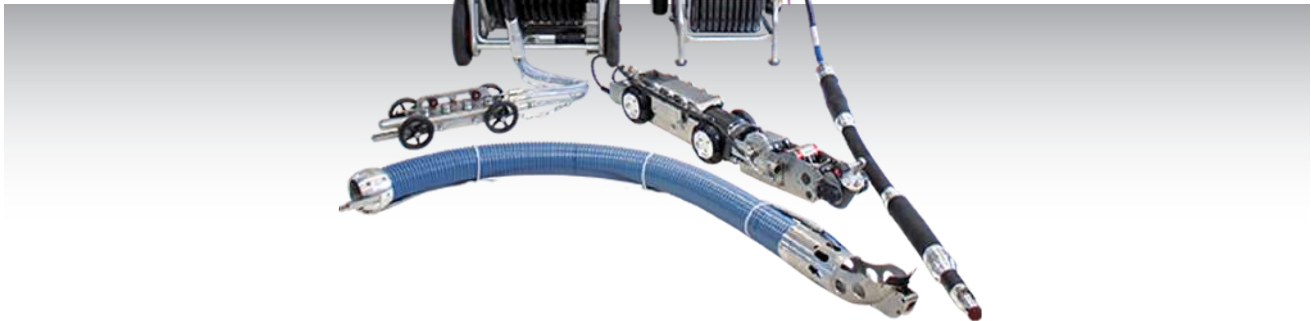
- suitable for rehabilitation of laterals/Service Connections, cracks, shards and joints
- two-component grouting material owns excellent adhesion properties on Inliner, stoneware and concrete
- rehabilitation by means of grouting also possible on wet surfaces in case of pressing ground water
- rehabilitation System is operated by IMS cutting Robot carriage
- rehabilitation depth from 15 cm up to max. 30cm / 6" up to 12"
- reduction of hardening time during top-hat Profile rehabilitation by switchable heating

CUTTING & MILLING ROBOTS

/ Indoor installation



IMS Satellite system – STL



Your benefits at one glance:

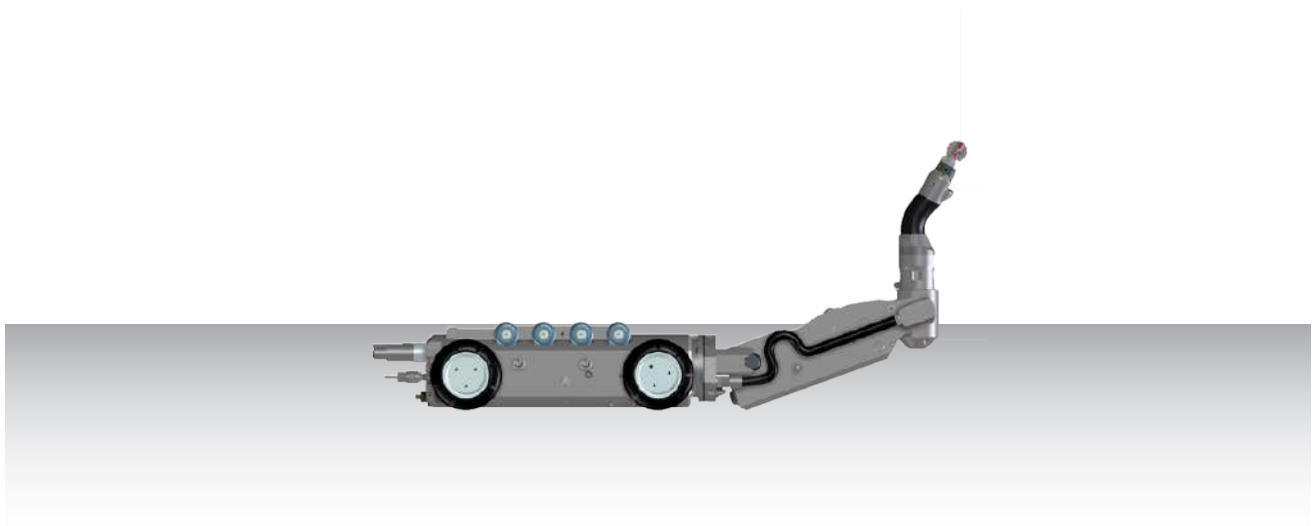
- range of application in main sewer DN 200 - 600 / 8" - 24"
- insertion into laterals DN 100 - 150 / 4" - 6" possible
- for all preparatory rehabilitation work of laterals / service connection
- insertion of the system from the main sewer, only 1 manhole access required
- enables the removal of deposits, roots or other obstacles
- cutting and opening the pipe branches after rehabilitation
- pipe joints tightness test, inspection and high pressure flushing
- insertion into laterals DN 100 - 150 / 4" - 6" possible
- the both cutting robot systems can be used individually without any restriction
- individual connection to other carriages possible

CUTTING & MILLING ROBOTS

/ Main sewer



IMS Lateral Preparation System



Your benefits at one glance:

DN 200 - 600/8"-24"

The intelligent Connection of two cutting robot systems for preparation of laterals:

- 6 degrees of freedom (driving and 5 turning/swivelling axes)
- operation from the main sewer DN 200 up to DN 600/8" up to 24"
- preparation of laterals from DN 80/3" up to 40cm/15 Inch depth
- two cameras for observing the Insertion and the cutting process

CUTTING & MILLING ROBOTS

/ Indoor installation



IMS NANO easy



Your benefits at one glance:

- range of application in pipes from DN 70 up to DN 100/3" - 4" (inside diameter)
- excellent flexibility in bends up to 90° in DN 70/3"
- pneumatic clamping unit permits usage also in vertical pipes
- only smallest access openings required
- convenient supply hose package of 15 m/49 ft or 25 m/82 ft
- high cutting force through powerful air motor
- flexible operation due to on the supply hose movable steering wheel and removable monitor
- permanent monitoring of cutting operation by integrated color camera
- high mobility convenience through compact stainless steel chassis
- several cutting tools can be installed
- accessories with construction site tools

CUTTING & MILLING ROBOTS

/ Indoor installation



IMS NANO easy

Functions and technical details:

- useable from DN 70 up to DN 100/3" up to 4" (inside diameter)
- flexibility in bends 90° from DN 70/3" (2 x 45° - plastic pipe bend - without obstacles)
- 15 m/49 ft or 25 m/49 ft supply hose package
- air-powered cutter motor
- integrated color camera with LED lighting
- camera cleaning with permanent air
- splash-proof according to IP 54
- manual controlling due to on the supply hose movable steering wheel
- the steering wheel is provided with one switch for the bracing bladder, one switch for the cutter motor, one potentiometer for light control, two buttons for the lifting unit and one analogue video out
- 3.5" TFT LCD monitor, storage of pictures/videos (JPEG/MPEG) with SD card, USB, date and time display
- completely assembled cutter on chassis with pneumatic and electrical rotary leadthrough, analogue and digital video out
- dimension of cutter: approx. L 495 x W 770 x H 877 mm
- outside diameter of cutter: 42 mm/weight: approx. 35 kg

Power supply:	100 - 240 VAC, 50/60 Hz, max. 1,0 A
Compressed air requirements:	dirt-free (particles < 5 micrometer), temperature range 5 °C up to max. 40 °C / 41 °F up to max. 104 °F, residual water separated, residual oil < 5 mg/m ³ , air supply line pressure 7 bar up to max. 10 bar / 102 PSI up to max. 145 PSI, volume flow min. 1 m ³ /min / 35 CFM
Cutting tools:	original IMS cutting tools are recommended

CUTTING & MILLING ROBOTS

/ Indoor installation



IMS MICRO light



Your benefits at one glance:

- large range of application in pipes from DN 80 up to DN 150/3" up to 6" (inside diameter) without conversion work, optional extendable until DN 250/10"
- excellent flexibility in bends up to 90° in DN 100/4" through rotating and swivel head
- pneumatic clamping unit permits use also in vertical pipes
- clamping unit separately controlable by cable remote control
- only very small access openings required
- convenient supply hose package of 30 m/98,40 ft
- extremely high cutting force through powerful air motor
- flexible operation through cable remote control
- very precise control of the cutter through joystick
- permanent monitoring of cutting operation due to integrated color camera in the cutting arm with air cleaning
- great mobility convenience through compact chassis
- damage prevention through automatic monitoring of internal pressure with signalling
- deep pipe insertion by fiberglass push rod possible
- variable cutting tools can be installed
- minimum downtimes in case of repair through operator-replaceable components or use of express service (see detailed description in the offer/order conditions)
- upgradeable to MICRO automatic at any time

CUTTING & MILLING ROBOTS

/ Indoor installation



IMS MICRO light

Functions and technical details:

- useable from DN 80 up to DN 150/3" up to 6" (inside diameter), up to DN 250/10" with optional extensions
- flexibility in bends 90° from DN 100/4" (clay, no folds, or similar)
- 30 m/98,40 ft supply hose on drum
- coupling elements for fiberglass push rod
- 400° rotating and approx. 90° swivel movement with stops
- air-powered cutter motor
- color camera with LED
- camera cleaning with permanent air
- splashproof according to IP 54
- waterproof device with 0.8 bar nitrogen filling
- permanent monitoring of internal pressure with signalling
- cable remote control with joystick for rotation (sensitivity adjustable) and swivelling,
- controller for light, switch for cutting motor and bracing bladder control, 1 analogue BNC video output
- 3,5" TFT LCD monitor, storage picture/video (JPEG/MPEG) with SD card, USB, date and time display on demand
- outside diameter of cutter: 72 mm
- overall dimensions: L 660 x W 550 x H 800 mm (L 26" x W 22" x H 31")
- weight: approx. 47 kg
- compact cutter assembly on chassis with pneumatic rotary leadthrough
- detachable individual components
- box with job site tools, valve extension, set of replacement screws, 1 cutting tool carbidegranulate, nitrogen filling adapter, thread extension, ball bearings and fins for air motor, Requirements of usage manual and spare parts overview

Power supply:	100 – 240 VAC, 50/60 Hz, max. 1,6 A
Compressed air requirements:	Dirt-free (particles < 5 micrometers), temperature range 5 °C up to max. 40 °C / 41 °F up to max. 104 °F, residual water separated, residual oil < 5 mg/m ³ , supply line pressure 10 bar / 145 PSI, volume flow min. 1 m ³ /min / 35 CFM
Cutting tools:	Original IMS cutting tools are recommended
Internal pressure monitoring:	Nitrogen filling equipment essential for internal pressure monitoring

CUTTING & MILLING ROBOTS

/ Indoor installation



IMS MICRO automatic



Your benefits at one glance:

- large range of application in pipes from DN 80 to 150/3" up to 6" (inside diameter), optional up to DN 250/10"
- excellent flexibility in bends up to 90° in DN 100/4" through rotating and swivel head
- high work efficiency due to axial feed of approx. 100 mm/4"
- usable also in difficult pipe situations due to manual and automatic creeping and climbing function
- pneumatic clamping unit permits usage also in vertical pipes
- only very small access openings required
- convenient supply hose package of 30 m/98,40 ft
- extremely high cutting force through powerful air motor
- flexible operation by cable remote control and removable monitor
- very precise control of cutter through joystick
- control unit MICRO automatic with case optional available
- permanent monitoring of cutting operation due to color camera with air/water cleaning
- great mobility convenience through compact Chassis
- damage prevention through automatic monitoring of internal pressure with signalling
- deep pipe insertion by fiberglass push rod possible
- variable cutting tools can be installed
- minimum downtimes in case of repair through operator-replaceable components or use of express service (see detailed description in the offer/order conditions)

CUTTING & MILLING ROBOTS

/ Indoor installation



IMS MICRO automatic

Functions and technical details:

- useable from DN 80 to 150/3 up to 6" (inside diameter), up to DN 250/10" with optional extensions
- flexibility in bends 90° from DN 100/4" (clay, no folds, or similar)
- axial feed approx. 100 mm/4", manual and automatic creeping and climbing function (single or permanent movement)
- 30 m/98,40 ft supply hose on drum
- coupling elements for fiberglass push rod
- 400° rotating and approx. 90° swivel movement with stops
- air-powered cutter motor
- color camera with LED
- camera cleaning with permanent air and switchable water flushing
- splashproof according to IP 54
- waterproof device with 0.8 bar nitrogen filling
- permanent monitoring of internal pressure with signalling
- cable remote control with joystick for rotating (sensitivity adjustable) and swivelling, light control, switch for water, cutting motor and control of bladders; analogue video output
- 3,5" TFT LCD Monitor, storage picture/video (JPEG/MPEG) with SD card, USB, date and time display
- outside diameter of cutter: 72 mm
- overall dimensions: approx. L 660 x W 550 x H 800 mm (approx. 26" x 22" x 31")
- weight: approx. 55 kg
- completely assembled cutter on chassis with pneumatic and electrical rotary leadthrough
- detachable individual components
- accessory case with jobsite tools, valve extension, set of replacement screws, 1 carbide half globe cutting tool granulate, nitrogen filling adapter, thread extension, ball bearings and fins for air motor, operation manual, overview spare parts

Power supply:	100 – 240 VAC, 50/60 Hz, max. 1,6 A
Compressed air requirements:	Dirt-free (particles < 5 micrometers), temperature range 5 °C up to max. 40 °C / 41 °F up to max. 104 °F, residual water separated, residual oil < 5 mg/m ³ , supply line pressure 10 bar / 145 PSI, volume flow min. 1 m ³ /min / 35 CFM
Cutting tools:	Original IMS cutting tools are recommended
Internal pressure monitoring:	Nitrogen filling equipment essential for internal pressure monitoring

CUTTING & MILLING ROBOTS

/ Indoor installation



IMS MICRO automatic plus



Your benefits at one glance:

- large range of application in pipes from DN 80 up to 150/3 up to 6" (inside diameter), optional up to DN 250/10"
- excellent flexibility in bends up to 90° in DN 100/4" through rotating and swivel head
- high work efficiency due to axial feed of approx. 100 mm/4"
- usable also in difficult pipe situations due to manual and automatic creeping and climbing function
- pneumatic clamping unit permits usage also in vertical pipes
- only very small access openings required
- convenient supply hose package of 50 m/164 ft
- optional meter counting incl. data loading
- extremely high cutting force through powerful air motor
- flexible operation through cable remote control
- control unit MICRO automatic plus with case
- optional available
- permanent monitoring of cutting operation due to color camera with air and water cleaning
- great mobility convenience through compact stainless steel chassis
- vehicle mounting kit optional available
- damage prevention through automatic monitoring of internal pressure with signalling
- accessory case with jobsite tools
- different cutting tools can be installed
- minimum downtimes in case of repair through operator-replaceable components or use of express service (see detailed description in the offer/order conditions)

CUTTING & MILLING ROBOTS

/ Indoor installation



IMS MICRO automatic plus

Functions and technical details:

- usable from DN 80 up to DN 150/3" up to 6" (inside diameter), up to DN 250/10" with optional extensions
- flexibility in bends 90° from DN 100/4" (clay, no folds, or similar)
- axial feed approx. 100 mm/4", manual and automatic creeping and climbing function
- comfortable supply hose package of 50 m/164 ft
- 400° turning and approx. 90° swivel movement with stops
- air powered cutter motor
- color camera with LED
- permanent camera cleaning with air and switchable water flushing
- cable remote control with joystick for turning (sensitivity adjustable) and swivelling; light control; switch for water, cutter motor and control of bladders; analogue video output
- 3,5" TFT LCD monitor, storage picture/video (JPEG/MPEG) with SD card, USB, date and time display on demand
- splashproof according to IP 54
- waterproofed device with 0.8 bar nitrogen filling-internal power supply for Tablet PC 19 volt (Tablet PC option article number 016 50 075)
- analogue video output on cable drum
- outside diameter of cutter: 72 mm
- completely assembled cutter on chassis with pneumatic and electrical rotary leadthrough and manual brake
- detachable individual components
- accessory case with jobsite tools, nitrogen valve extension, set of replacement screws, 1 carbide half glob cutting tool granulate, nitrogen filling adapter, thread extension, ball bearings and fins for air motor, operation manual, overview spare parts
- dimensions of cable drum: L x W x H approx. 790 x 630 x 1050 (approx. 31" x 25" x 41")
- weight: approx. 57 kg

Power supply:	100 - 240 VAC, 47 - 63 Hz, max. 7,0 A
Compressed air requirements:	Dirt-free (particles < 5 micrometer), temperature range 5 °C up to max. 40 °C/41 °F up to max. 104 °F, residual water separated, residual oil < 5 mg/m ³ , supply line pressure 10 bar / 145 PSI, volume flow min. 1 m ³ /min / 35 CFM
Cutting tools:	Original IMS cutting tools are recommended
Internal pressure monitoring:	Nitrogen filling equipment essential for internal pressure monitoring

CUTTING & MILLING ROBOTS

/ Indoor installation



IMS MICRO premium



Your benefits at one glance:

- large range of application in pipes from DN 80 up to 150/3" up to 6" (inside diameter), optional extendable up to DN 250/10"
- excellent flexibility in bends up to 90° in DN 100/4" through rotating and swivel head
- high work efficiency due to axial feed of approx. 100 mm/4"
- usable also in difficult pipe situations by manual and automatic creeping and climbing function
- pneumatic clamping unit permits use also in vertical pipes
- only very small access openings required
- convenient supply hose package of 50 m/164 ft or 70 m/230 ft
- optional meter counting incl. data loading
- extremely high cutting force through powerful air motor
- flexible operation by cable remote control and removable Tablet PC (Tablet PC 016 54 060 optional available)
- menu navigation with touchscreen
- very precise control of the cutter by 2 joysticks
- permanent observation of cutting operation by color camera with air and water cleaning
- great mobility convenience through compact stainless steel chassis
- vehicle mounting kit optional available
- damage prevention by automatic monitoring of internal pressure with signaling
- accessory case with job site tools
- different cutting tools can be installed
- minimum downtimes in case of repair through operator-replaceable components or use of express service (see detailed description in the offer/order conditions)

CUTTING & MILLING ROBOTS

/ Indoor installation



IMS MICRO premium

Functions and technical details:

- usable from DN 80 - DN 150/3" - 6" (inside diameter), up to DN 250/10" with optional extensions
- flexibility in bends 90° from DN 100/4" (clay, no folds, or similar)
- axial feed approx. 100 mm/4", manual and automatic creeping and climbing function (single or permanent movement)
- comfortable supply hose package of 50 m/164 ft or 70 m/230 ft
- 400° turning and approx. 90° swivel movement with stops
- air powered cutter motor
- color camera with LED
- permanent camera cleaning with air and switchable water
- splashproof according to IP 54
- waterproofed device with 0,8 bar nitrogen filling
- permanent monitoring of internal pressure with signaling
- cable remote control, IMS Touch" with 2 joysticks for turning (sensitivity adjustable), swivelling and axial feed, potentiometer for light control. Touchscreen control for water, cutter motor and control of bladders in manual and automatic mode.
- stable transport case
- optional operation from transport case or separately
- holding plate on cable drum for attaching the transport case (transport case rotatable and removable)
- Software for recording and playback of the video signal (software requirement Windows 8)
- internal power supply for Tablet PC 19 volt
- Tablet PC (article number 016 50 075) optional available
- outside diameter of cutter: 72 mm
- completely assembled cutter on chassis with pneumatic and electrical rotary leadthrough and manual brake
- detachable individual components
- accessory case with jobsite tools, valve extension, set of replacement screws, 1 carbide half globe cutting tool granulate, nitrogen filling adapter, thread extension, ball bearings and fins for air motor, operation manual, overview spare parts
- dimensions of cable drum: L 790 x W 630 x H 1050 mm (31" x 25" x 41"), weight approx. 68 kg (50 m)/approx. 75 kg (70 m)

Power supply:	100 - 240 VAC, 47 - 63 Hz, max. 7,0 A
Compressed air requirements:	Dirt-free (particles < 5 micrometers), temperature range 5 °C up to max. 40 °C / 41 °F up to max. 104 °F, residual. Water separated, residual oil < 5 mg/m ³ , supply line pressure 10 bar / 145 PSI, volume flow min. 1 m ³ /min / 35 CFM
Cutting tools:	Original IMS cutting tools are recommended
Internal pressure monitoring:	Nitrogen filling equipment essential for internal pressure monitoring

CUTTING & MILLING ROBOTS

/ High-pressure water technology



IMS CLEANER Basic/Comfort



Your benefits at one glance:

CLEANERbasic

- camera-guided cleaning robot with rotating and swivelling nozzles for the targeted removal of contaminations and deposits in pipes by means of extra-high-pressure water jetting 200-1,000 bar
- NW 100-200, navigating bends starting from NW 100 (KG pipe starting from NW 125, 2 x 45°)

CLEANERcomfort

- camera-guided cleaning robot with rotating and swivelling nozzles for the targeted removal of contaminations and deposits in pipes by means of extra-high-pressure water jetting 200-1,000 bar
- NW 100-200, navigating bends starting from NW 100 (KG pipe starting from NW 125, 2 x 45°)